

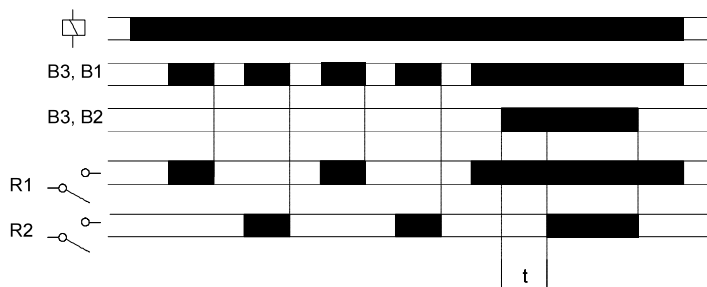
Type: M3FFR

Load Sharing Relay

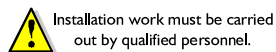
The unit controls the operation of two motors, compressors, generators, etc. for balanced operation. It operates on the alternation of the start up each time a contact e.g. pressure switch, is dosed. The unit can be used for simultaneous operation of two motors as well as cascade operation of a number of motors.



TIMING DIAGRAM



INSTALLATION AND SETTING

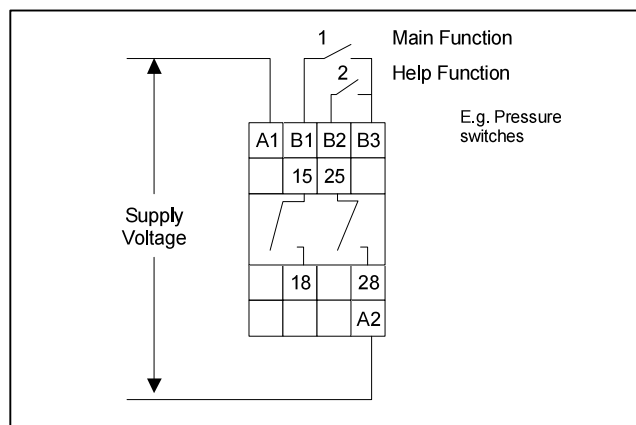


BEFORE INSTALLATION, ISOLATE THE SUPPLY. Connect the supply as shown in the diagram below.

Alternating control of two motors: When the power is applied, the green 'supply on' LED will illuminate. Both red LED's will remain extinguished as long as the contact connected between 'B1' and 'B3' is open. When the contact is closed, red LED 'R1' will illuminate and one of the motors will start up. Every closure of this contact will alternate the start up of one of the two motors, exchanging the working operation.

Alternating/simultaneous operation of two motors: Two contacts are connected to the unit, one between 'B1' and 'B3', the other between 'B1' and 'B2'. Closure of 'B1' and 'B3' contact will alternate the start up of one of the two motors. Closure of 'B1', 'B2' contact will start up the second motor, which acts as a "help" function. If the power is applied whilst both contacts are already closed, the start up of the second motor is delayed by 2 seconds.

CONNECTION DIAGRAM



TECHNICAL SPECIFICATION

Supply Voltage U_n : 24V, 110V, 230V, 400V AC
48 - 63Hz

Supply Variation: 85 - 115% of U_n

Power

Consumption: 14VA maximum

Time Delay (t): $\approx 2S$

("help" function)

Reset Time $\approx 100ms$

Temperature

Range: -20 to +60°C

Relative Humidity: +95%

Contact Rating:

AC I 250V AC 8A (2000VA)

AC 15 250V AC 5A(no)

DC I 25V DC 8A (200W)

Electrical Life: Minimum 150,000 ops at rated load

Housing: Orange flame retardant UL94 VO

Weight: 116g approx.

Mounting Option: Onto 35mm symmetric DIN rail to BS5584:1978 (ENSO 002, DIN 46277-3)
Or direct surface mounting via 2 x M3.5 or 4BA screws using the black clips provided on the rear of the unit

Terminal

Conductor Size: Max 2 x 2.5mm² solid or stranded

Approvals:

Conforms to: UL, CUL, CSA, IEC.
CE Compliant

MOUNTING DETAILS

